

---

# INTAKE AND EXHAUST



## CONTENTS

GENERAL INFORMATION .....	2	EXHAUST MANIFOLD .....	3
INTAKE MANIFOLD<4G64> .....	2	EXHAUST PIPE AND MAIN MUFFLER .....	5



## GENERAL

### OUTLINE OF CHANGES

The following service procedures have been established to correspond to the following changes. Other items are the same as before.

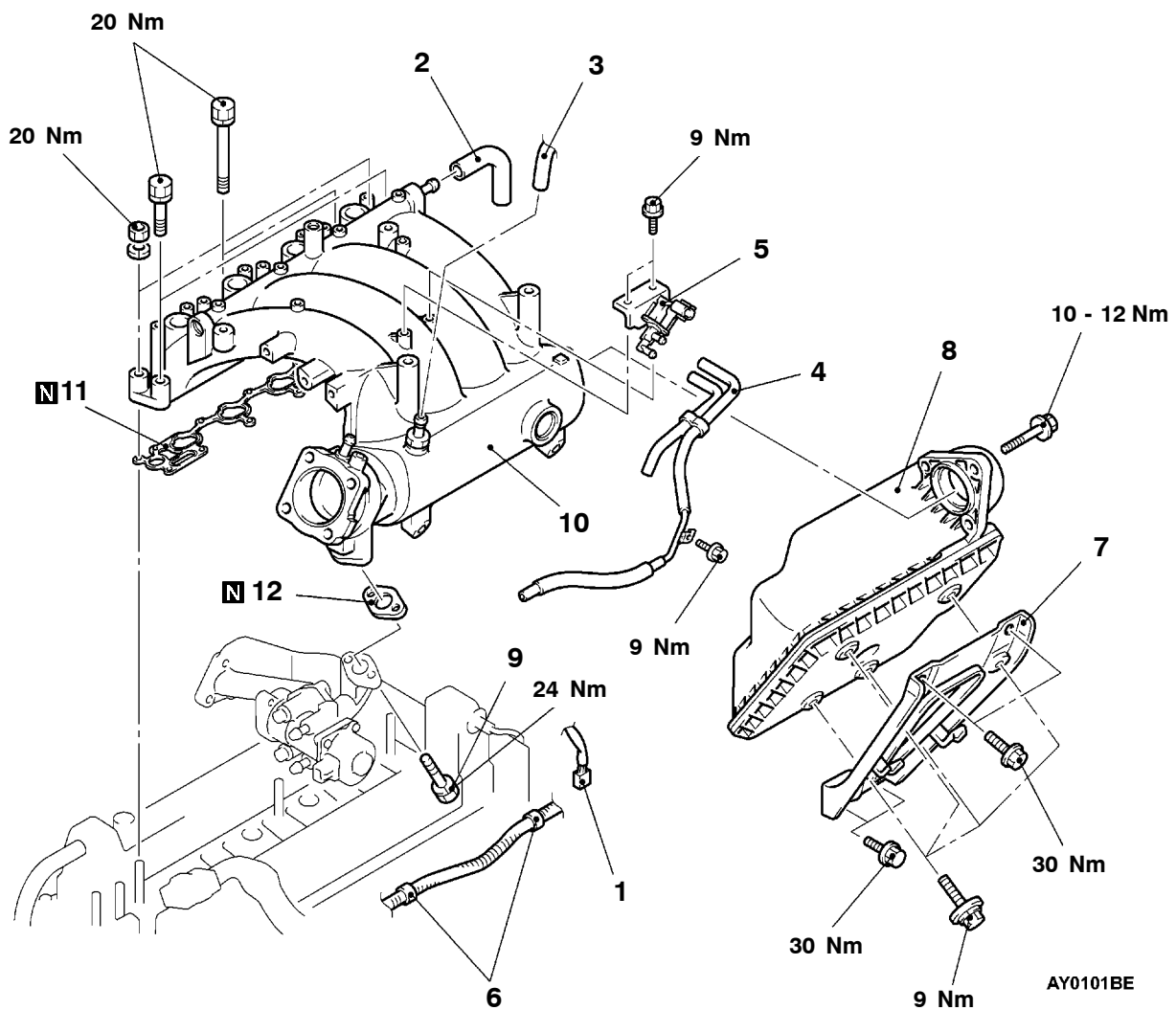
- The solenoid valve assembly in vehicles with 4G64 engine have been changed.
- The exhaust manifold, exhaust pipe and main muffler have been changed.

## INTAKE MANIFOLD <4G64>

### REMOVAL AND INSTALLATION

#### Pre-removal and Post-installation Operation

- Engine Coolant Draining and Supplying
- Engine Cover Removal and Installation
- Air Cleaner Assembly Removal and Installation
- Ignition Coil Removal and Installation
- Throttle Body Removal and Installation



1. Engine harness connector and clamp
2. PCV hose
3. Brake booster vacuum hose connection
4. Vacuum pipe and hose assembly
5. Solenoid valve assembly
6. Alternator harness clamp

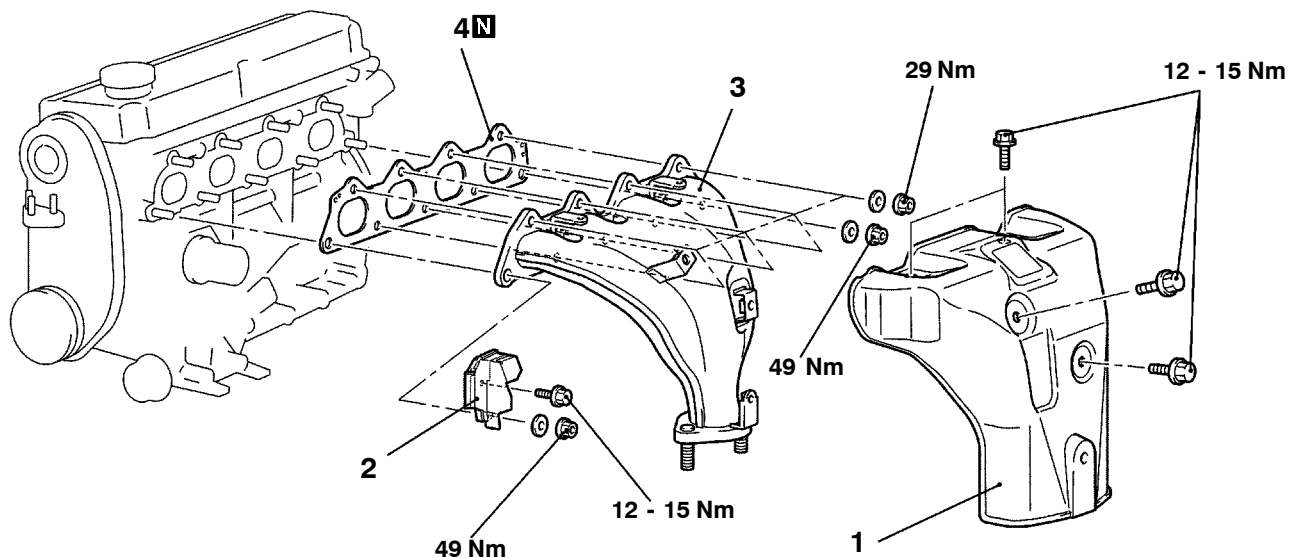
7. Intake manifold stay
8. Air intake plenum resonator
9. Intake manifold and EGR valve support connecting bolt
10. Intake manifold
11. Intake manifold gasket
12. Gasket

# EXHAUST MANIFOLD

## REMOVAL AND INSTALLATION

**Pre-removal and Post-installation Operation**  
 Front Exhaust Pipe Removal and Installation  
 (Refer to P.15-5.)

<4G63>

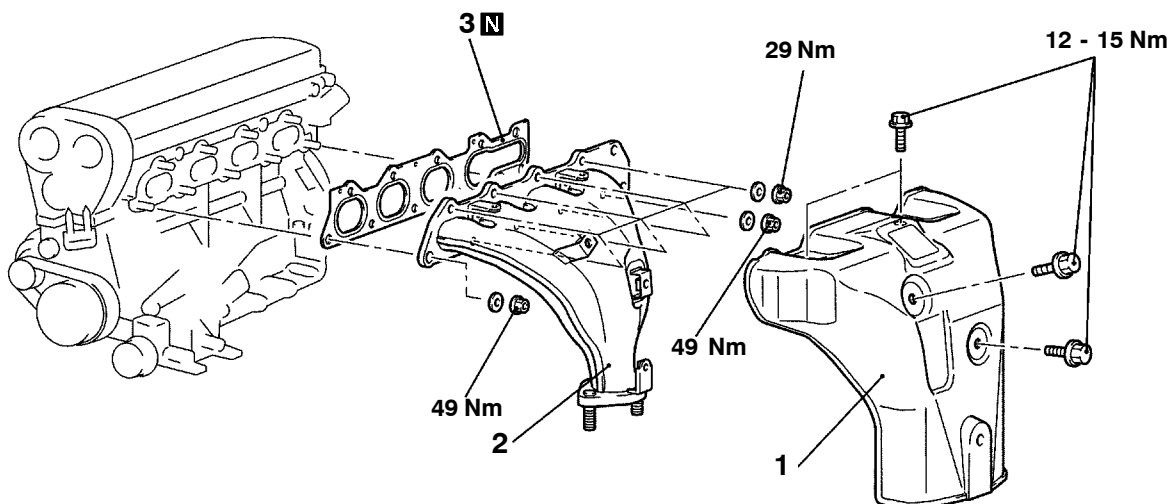


AY0079BE

**Removal steps**

- 1. Exhaust manifold cover
- 2. Heat protector
- 3. Exhaust manifold
- 4. Exhaust manifold gasket

<4G64>

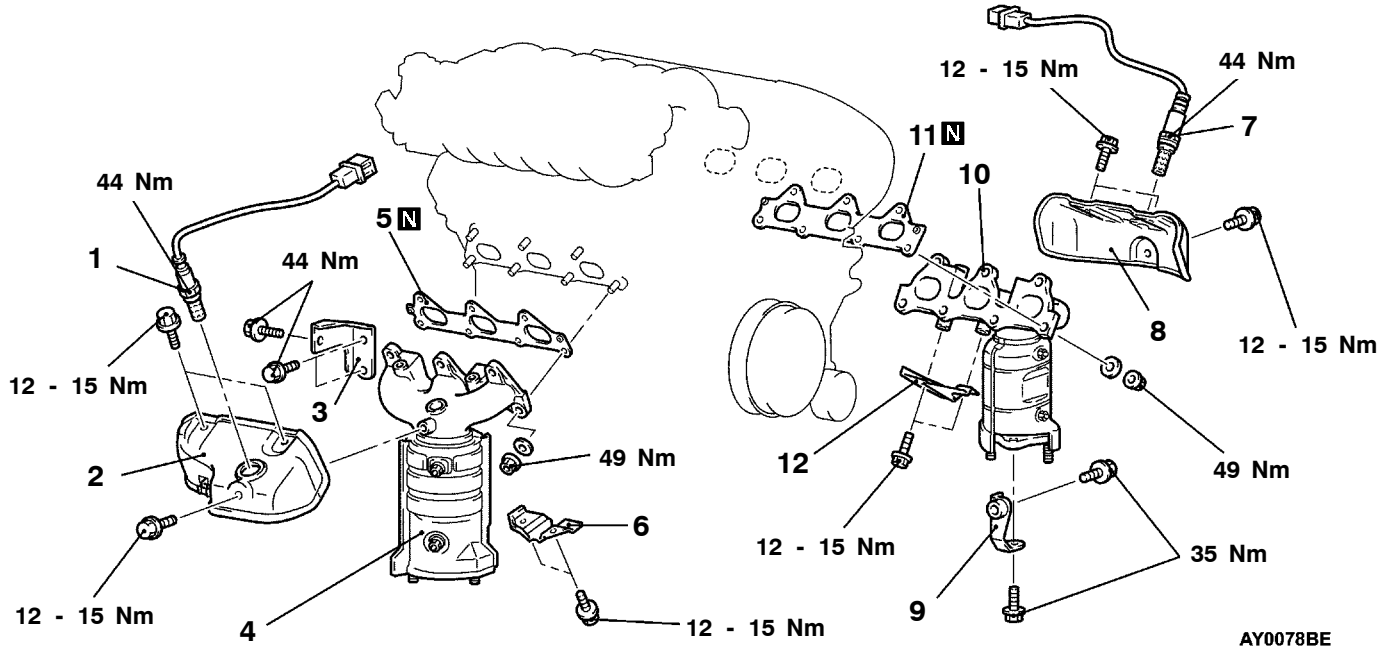


AY0080BE

**Removal steps**

- 1. Exhaust manifold cover
- 2. Exhaust manifold
- 3. Exhaust manifold gasket

<6A1>



**Exhaust manifold right removal steps**

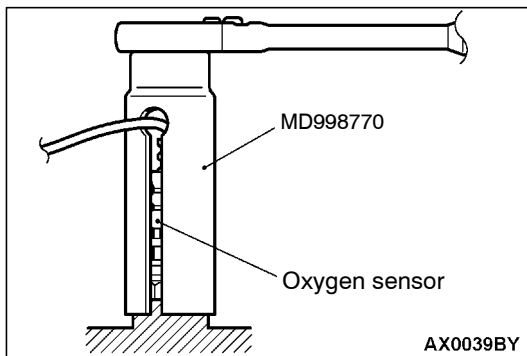


1. Oxygen sensor
2. Heat protector
3. Exhaust manifold stay
4. Exhaust manifold
5. Exhaust manifold gasket
6. Lower heat protector

**Exhaust manifold left removal steps**



7. Oxygen sensor
8. Heat protector
9. Exhaust manifold stay
10. Exhaust manifold
11. Exhaust manifold gasket
12. Lower heat protector



**REMOVAL SERVICE POINT**

**◀A▶ OXYGEN SENSOR REMOVAL**

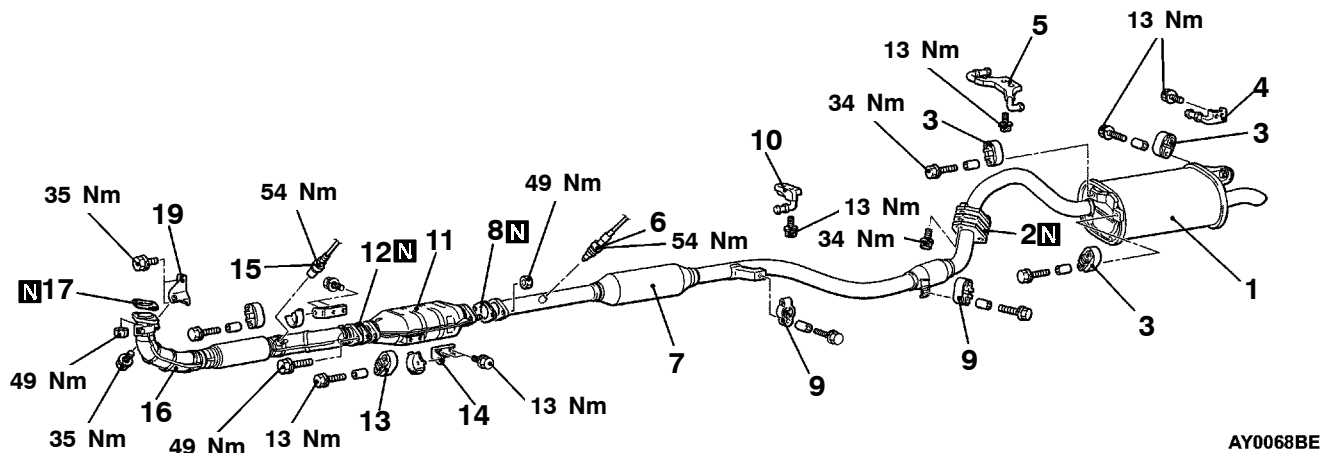
Disconnect an oxygen sensor connector and clamp, and use the special tool to remove the oxygen sensor.

# EXHAUST PIPE AND MAIN MUFFLER

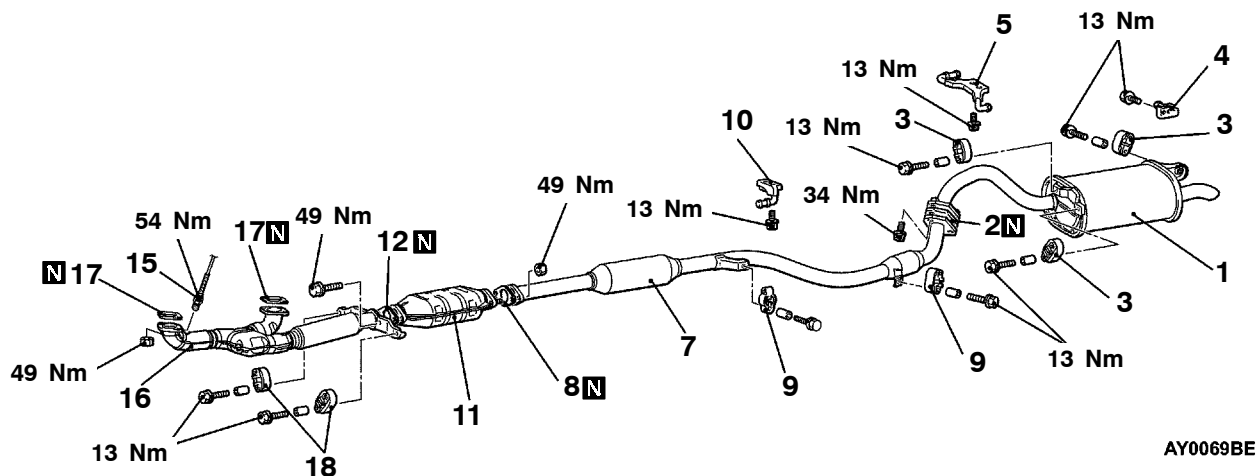
## REMOVAL AND INSTALLATION

Pre-removal and Post-installation Operation  
Under Cover Removal and Installation

<4G6>



<6A1>



### Main muffler removal steps

1. Main muffler assembly
2. Gasket
3. Hanger
4. Tail hanger
5. Rear hanger

### Catalytic converter removal steps

11. Catalytic converter
12. Gasket
13. Hanger
14. Hanger bracket

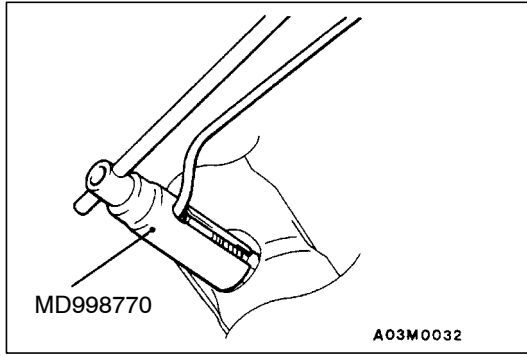
### Center exhaust pipe removal steps

6. Oxygen sensor
7. Center exhaust pipe
8. Gasket
9. Hanger
10. Center hanger

### Front exhaust pipe removal steps

15. Oxygen sensor
16. Front exhaust pipe
17. Gasket
18. Hanger
19. Front exhaust pipe bracket



**REMOVAL SERVICE POINT****◀A▶ OXYGEN SENSOR REMOVAL****INSTALLATION SERVICE POINT****▶A◀ OXYGEN SENSOR INSTALLATION**