

ENGINE ELECTRICAL



CONTENTS

CHARGING SYSTEM	2	GENERAL	3
GENERAL	2	Outline of Change	3
Outline of Change	2	SERVICE SPECIFICATIONS	3
ALTERNATOR	2	ON-VEHICLE SERVICE	3
IGNITION SYSTEM	3	IGNITION FAILURE SENSOR	4

CHARGING SYSTEM

GENERAL

OUTLINE OF CHANGE

The following service procedures have been established to correspond to the change of the exhaust manifold.

ALTERNATOR

REMOVAL AND INSTALLATION

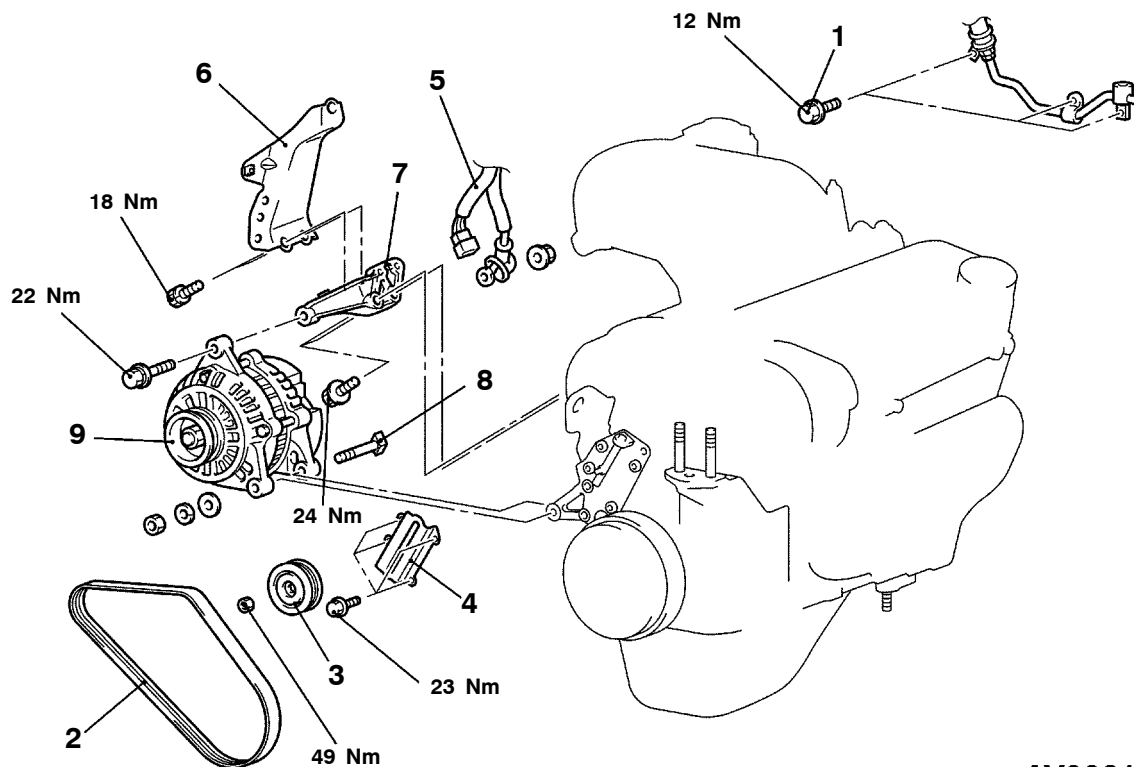
<6A1>

Pre-removal Operation

Solenoid Valve Assembly Removal
(Refer to GROUP 15 - Air Intake Plenum.)

Post-installation Operation

- Solenoid Valve Assembly Installation
(Refer to GROUP 15 - Air Intake Plenum.)
- Drive Belt Tension Adjustment
(Refer to GROUP 11B - On-vehicle Service.)



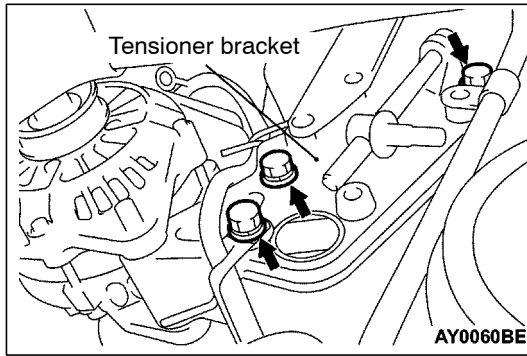
AY0061BE

Removal steps

1. Oil pressure hose and tube assembly clamp bolt
2. Drive belt (Alternator)
3. Tensioner pulley
4. Tensioner bracket



5. Alternator connector
6. Air intake plenum stay
7. Alternator brace
8. Alternator mounting bolt
9. Alternator



REMOVAL SERVICE POINT

◀A▶ ALTERNATOR MOUNTING BOLTS REMOVAL

While three bolts arrowed in the illustration are unscrewed, remove the alternator mounting bolts.

IGNITION SYSTEM

GENERAL

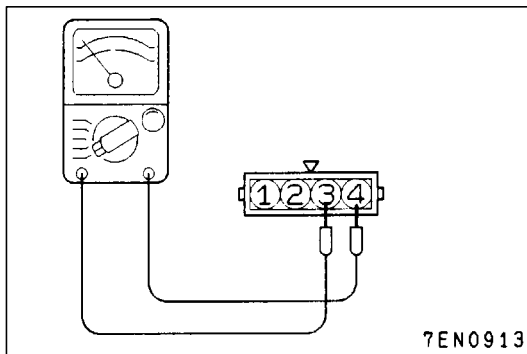
OUTLINE OF CHANGES

The following service procedures have been established to correspond to the addition of a ignition failure sensor <4G63, 4G64-GDI>. Other items are the same as before.

SERVICE SPECIFICATIONS

IGNITION FAILURE SENSOR

Items	4G63, 4G64-GDI
Resistance Ω	0.1 or less



ON-VEHICLE SERVICE

IGNITION FAILURE SENSOR CHECK <4G63, 4G64-GDI>

NOTE

An analog-type circuit tester should be used.

Check that the resistance between terminals 3 and 4 is at the standard value.

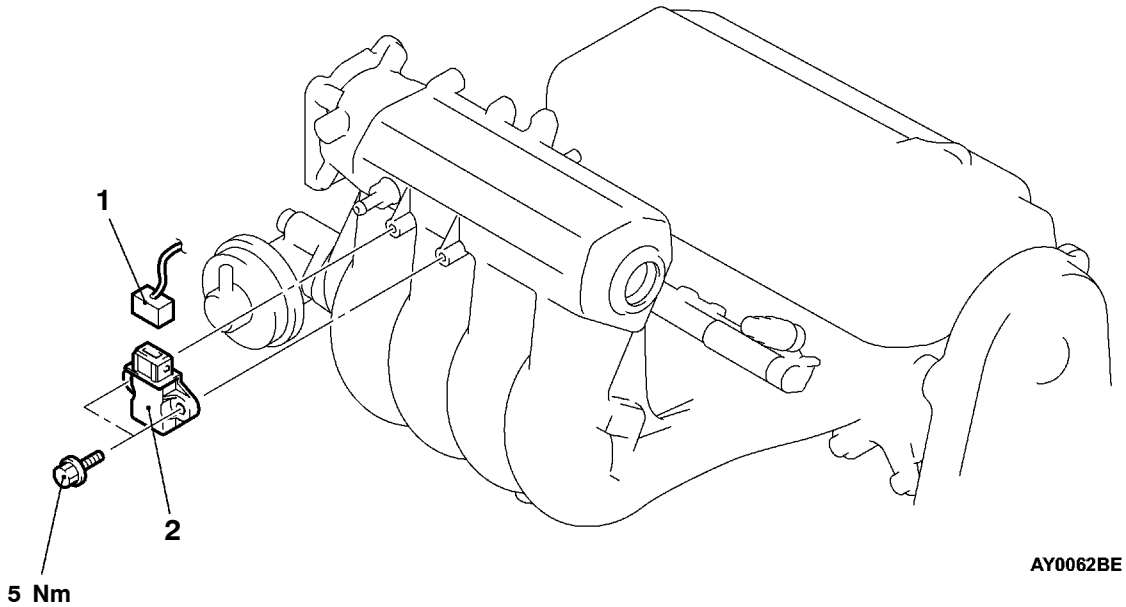
Standard value: 0.1 Ω or less

IGNITION FAILURE SENSOR

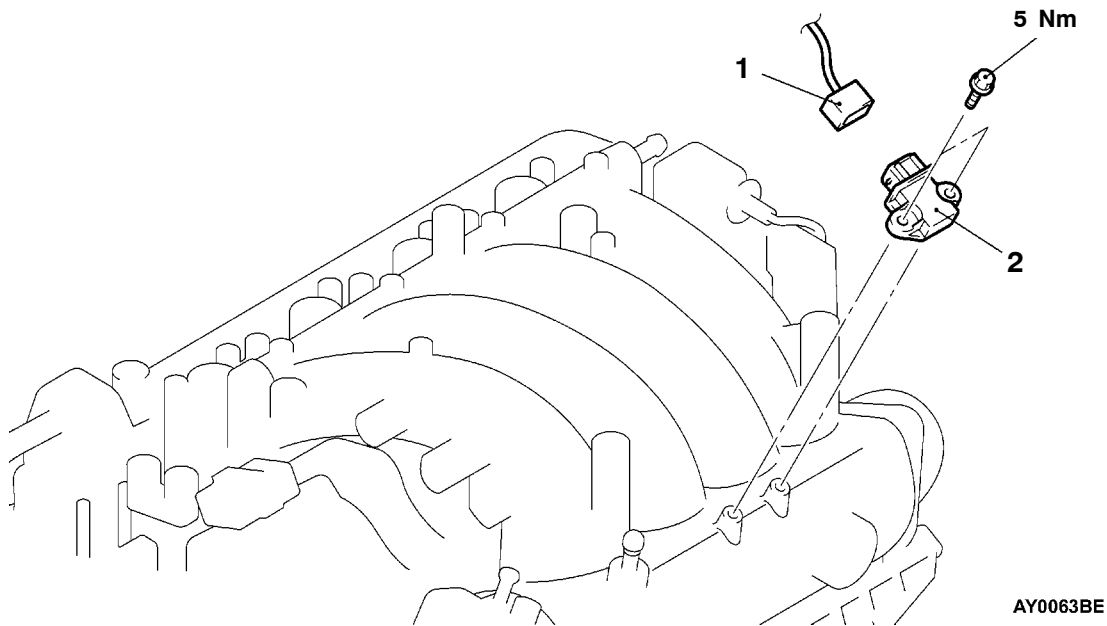
REMOVAL AND INSTALLATION

Pre-removal and Post-installation Operation
Engine Cover Removal and Installation <4G64-GDI>

<4G63>



<4G64>



Removal steps

1. Ignition failure sensor connector
2. Ignition failure sensor