

GROUP 32

POWER PLANT MOUNT

GENERAL

OUTLINE OF CHANGE

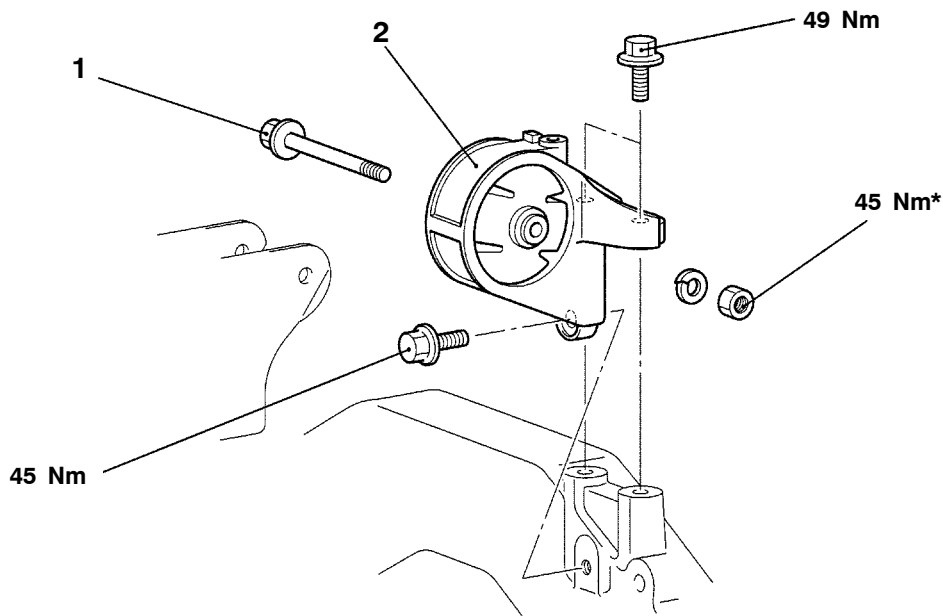
The following service procedures have been established to correspond to the change of the rear roll stopper in vehicles with 6A1 engine. Other items are the same as before.

ENGINE REAR ROLL STOPPER

REMOVAL AND INSTALLATION

Caution

Mounting locations marked by * should be provisionally tightened, and then fully tightened when the body is supporting the full weight of the engine.



AY0064BE

Removal steps

1. Transmission and rear roll stopper connecting bolt
2. Rear roll stopper