

GROUP 37A

STEERING

GENERAL

OUTLINE OF CHANGES

The following service procedures have been revised due to the change in the crossmember. <2500>

- POWER STEERING GEAR BOX REMOVAL AND INSTALLATION
- POWER STEERING HOSES REMOVAL AND INSTALLATION

POWER STEERING GEAR BOX <2500>

REMOVAL AND INSTALLATION

CAUTION: SRS

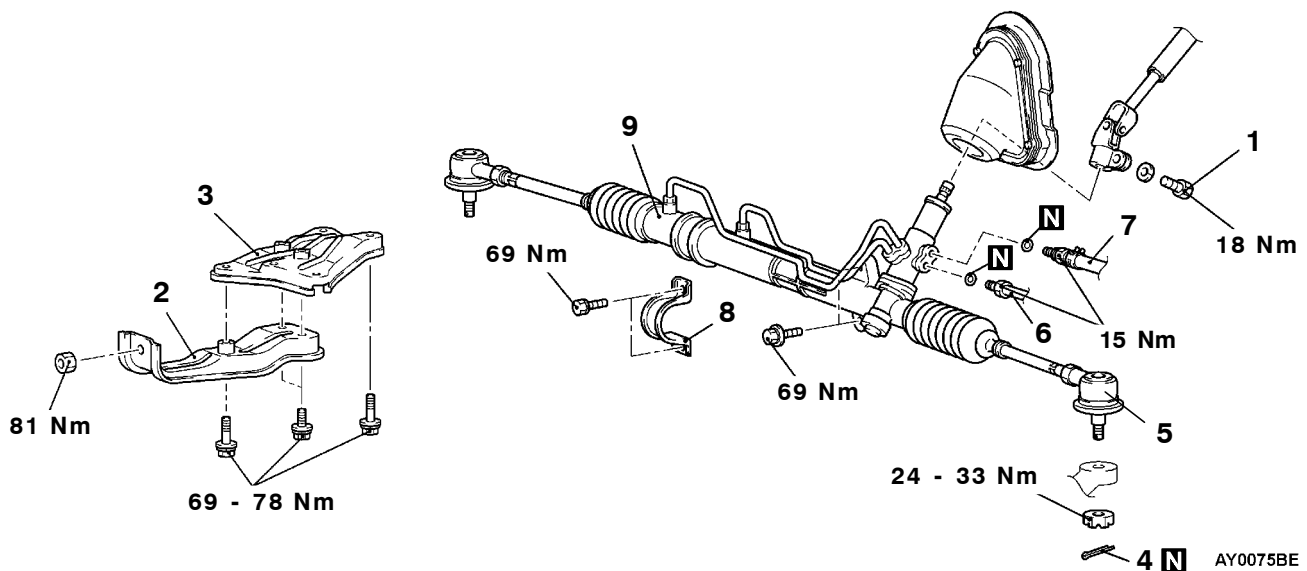
For vehicles with SRS, before removal of steering gear box, centre front wheels and remove ignition key. Failure to do so may damage SRS clock spring and render SRS system inoperative, risking serious driver injury.

Pre-removal Operation

- Power Steering Fluid Draining
- Center Member Removal
- Front Exhaust Pipe Removal
- Stabilizer Bar Removal (Refer to GROUP 33A.)

Post-installation Operation

- Check the Dust Cover for Cracks or Damage by Pushing it with Finger.
- Stabilizer Bar Installation (Refer to GROUP 33A.)
- Front Exhaust Pipe Installation
- Center Member Installation
- Power Steering Fluid Supplying
- Power Steering Fluid Line Bleeding
- Check Steering Wheel Position with Wheels Straight Ahead.
- Front Wheel Alignment Adjustment



Removal steps

1. Steering shaft assembly and gear box connecting bolt
2. No.2 stay
3. No.1 stay
4. Split pin
5. Tie rod end and knuckle connection

6. Pressure tube connection
7. Return tube connection
8. Cylinder clamp
9. Gear box assembly



NOTE

For service points, inspection, and disassembly and reassembly, refer to the Basic Manual.

POWER STEERING HOSES <2500>

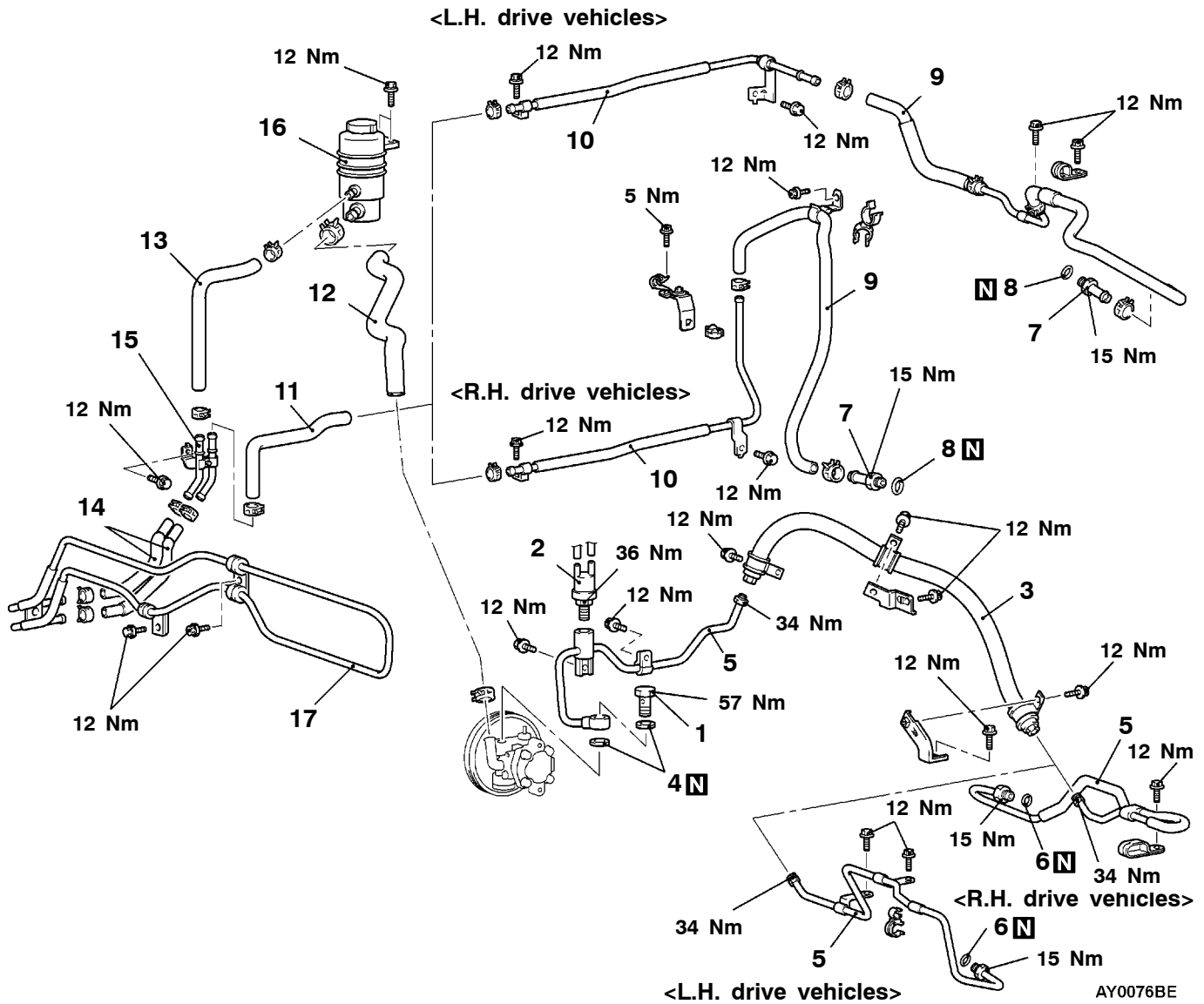
REMOVAL AND INSTALLATION

Pre-removal Operation

- Power Steering Fluid Draining
- Front Bumper Removal

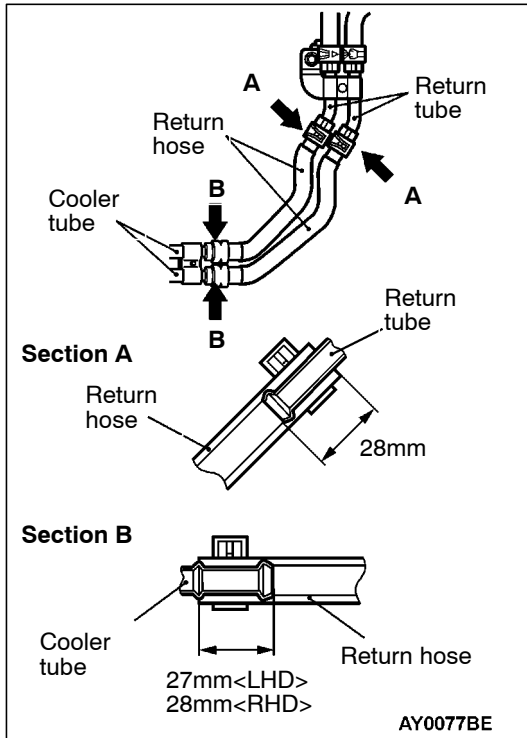
Post-installation Operation

- Front Bumper Installation
- Power Steering Fluid Supplying
- Power Steering Fluid Line Bleeding



- ▶B◀
1. Eye bolt
 2. Air control valve
 3. Pressure hose
 4. Gasket
 5. Pressure tube
 6. O-ring
 7. Return tube
 8. O-ring
 9. Return hose

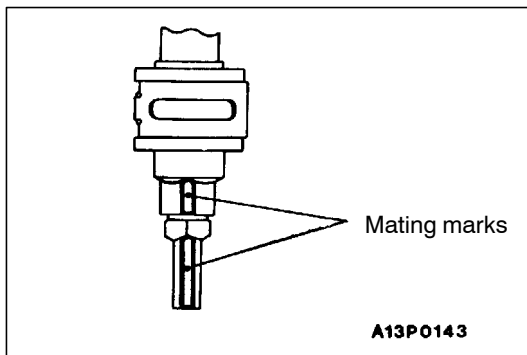
- ▶A◀
- ▶A◀
- ▶A◀
10. Return tube
 11. Return hose
 12. Suction hose
 13. Return hose
 14. Return hose
 15. Return tube
 16. Oil reservoir
 17. Cooler tube



INSTALLATION SERVICE POINTS

▶A◀ COOLER TUBE/RETURN TUBE/RETURN HOSE INSTALLATION

Install the cooler tube, return tube, and return hoses as shown in the illustration.



▶B◀ PRESSURE HOSE INSTALLATION

Align the marks on the pressure hose and pressure pipe, and install the pressure hose.